

**TIME WARNER**  

---

**INTERACTIVE**

# **SERVICE MANUAL**

**25" CGA / EGA COLOR MONITOR**

**MODEL: NT-2515C / NT-25E**

**NEOTEC** *GRAPHIC INTERNATIONAL INC.*

## TABLE OF CONTENTS

1. SAFETY PRECAUTIONS .....	1
2. INTRODUCTION .....	2
3. SPECIFICATION .....	3
4. BLOCK DIAGRAM .....	4
5. ADJUSTMENT PROCEDURES .....	5-7
6. SCHEMATICS .....	8-12
7. BILL OF MATERIAL LIST .....	13-18

*CAUTION: Before servicing this chassis, it is important that the service technician should read the "Safety Precaution" and "Product Safety Notice" in this Service Manual.*

## 1. SAFETY PRECAUTIONS

**NOTICE:** Comply with all cautions and safety related notes located on or inside the cabinet and on the chassis or picture tube. The following precautions should be observed:

1. Do not install, remove, or handle the picture tube in any manner unless one wears shatterproof goggles. People not so equipped should be kept away while picture tube is handled. Keep picture tube away from the body while handling.

2. When replacing a chassis in the monitor, all the protective devices, such as, barriers, non-metallic knobs, adjustment and compartment shields, and isolation resistor-capacitor, must be put back in place.

3. When service is required, observe the original lead dress. Extra precaution should be taken to assure correct lead dress in the high voltage circuitry area.

4. Always use the manufacturer's replacement components. Especially critical components as indicated on the circuit diagram should not be replaced by other manufacturer's. Furthermore where a short circuit has occurred, replace those components that indicate evidence of overheating.

5. Before returning a serviced monitor to the customer, the service technician must thoroughly test the unit to be certain that it is completely safe to operate without danger of electrical shock, and be sure that no protective device built into the monitor by the manufacturer has become defective, or inadvertently defeated during servicing. Therefore, the following checks should be performed for continued protection of the customer and service technician.

### HIGH VOLTAGE

This monitor is provided with a high voltage hold down circuit for clearly indicating that voltage has increased in excess of a predetermined value. Comply with all notes described in this Service Manual regarding this hold down circuit when servicing, so that this hold down circuit may function correctly.

### SERVICE WARNING

With minimum Brightness and Contrast the operating high voltage in this display is lower than 30KV.

If any component having influence on the high voltage is replaced, confirm that the high voltage with minimum Brightness and Contrast is lower than 30KV. To measure high voltage use a high impedance high voltage meter. (SENSITIVE RESEARCH MODEL: ESH or Equivalent). Connect (-) to chassis earth and (+) to the CRT anode button.

**NOTE:** *Make sure to turn power switch off before making the connection to the Anode Button.*

## **X-RADIATION**

**TUBE:** The primary source of X-radiation in this monitor is the picture tube. The tube utilized in this chassis is specially constructed to limit X-radiation emissions. For continued X-radiation protection, the replacement tube must be the same type as the original, manufacturer approved type.

When trouble shooting and making test measurements in a monitor with a problem of excessive high voltage, avoid being unnecessarily close to the picture tube and the high voltage components. Do not operate the chassis longer than is necessary to locate the cause of excessive voltage.

## **PRODUCT SAFETY NOTICE**

Many electrical and mechanical parts in the color monitor units have special safety related characteristics. These are often not evident from visual inspection nor can the protection afforded by them necessarily be obtained by using replacement components rated for high voltage, wattage, etc. Replacement parts that have these special safety characteristics are identified in this Service Manual. Electrical components having such feature are identified by marking with "!" on the schematics and on the parts list in this Service Manual.

The use of a substitute replacement component which does not have same safety characteristics as the manufacturer recommended replacement one, shown in the parts list in this Service Manual , may create shock, fire, X-radiation, or other hazards. Product Safety is continuously under review and new instructions are issued from time to time. For the latest information, always consult this Service Manual.

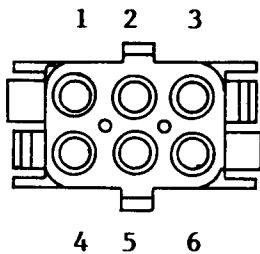
## **2. INTRODUCTION**

This service manual gives information about the NT-2515C / NT-25E color display monitors. These color monitors accept analog inputs for R.G.B.; they feature stable convergence, easy maintenance and compact styling.

### 3. SPECIFICATION

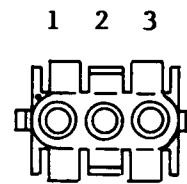
MODEL	NT-2515C	NT-25E
<b>VIDEO</b> SIGNAL TYPE RISE AND FALL TIME VIDEO BANDWIDTH RESOLUTION	RGB SEPARATE 1.0-4.0VP-P 15 NANOSECONDS 15MHz -3db 560x240	RGB SEPARATE 1.0-4.0VP-P 25 NANOSECONDS 30MHz -3db 640X350
<b>SYNC</b> HORIZONTAL FREQUENCY VERTICAL FREQUENCY LINEARITY	15.75KHz 60Hz ± 5%	25KHz 60Hz ± 5%
<b>HIGH VOLTAGE</b> HIGH VOLTAGE REGULATION HIGH VOLTAGE SHUT-DOWN	25KV ± 2% AUTOMATIC	25.5KV ± 2% AUTOMATIC
<b>POWER SUPPLY</b> POWER CONSUMPTION LINE VOLTAGE REGULATION	120/220 VAC UNIVERSAL 85W 1%	120/220 VAC UNIVERSAL 110W 1%
<b>CRT</b> PHOSPHOR	0.82mm DOT PITCH P22 25" CRT	0.82mm DOT PITCH P22 25" CRT
<b>ENVIRONMENTAL CONDITIONS</b> AMBIENT TEMPERATURE AMBIENT HUMIDITY	0° - 55° C 10% - 90% NO CONDENSATION	0° - 55° C 10% - 90% NO CONDENSATION

**SIGNAL CONNECTOR**



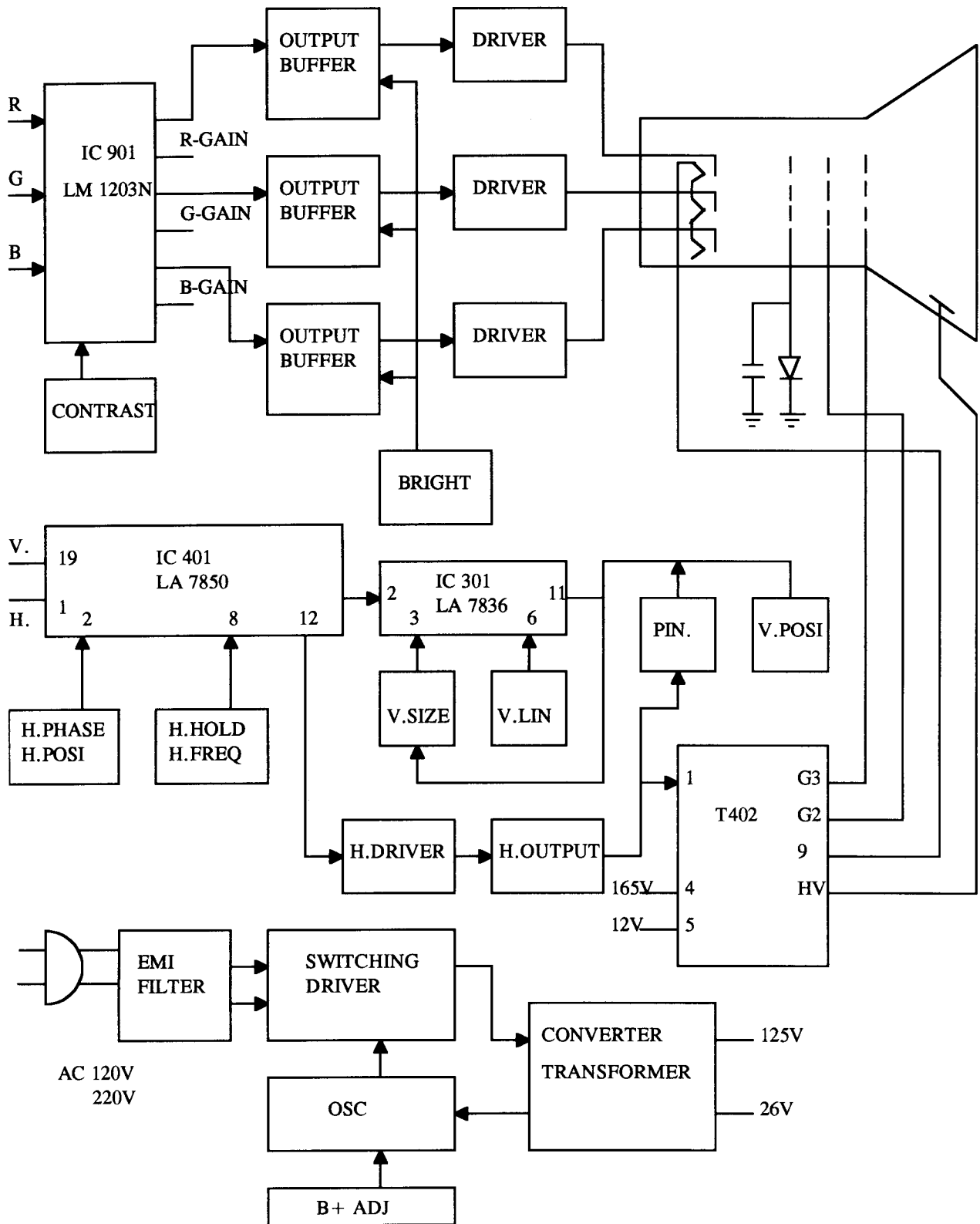
PIN 1: RED      PIN 4: GROUND  
PIN 2: GREEN    PIN 5: V. SYNC  
PIN 3: BLUE     PIN 6: H. SYNC

**POWER CONNECTOR**



PIN 1: LINE  
PIN 2: GROUND  
PIN 3: NEUTRAL

## 4. BLOCK DIAGRAM



## 5. ADJUSTMENT PROCEDURES

### 5.1 INITIAL SETTINGS

Before turning on the power, all initial settings shall be positioned as following (Clockwise and counterclockwise directions shall be followed from a position facing the front of the monitor itself.)

- 5.1.1 Set the R.G.B. Bias pots R938, R937, R936, driver R934, R935 counterclockwise at center position.

### 5.2 SMPS DC OUTPUT SETTING

- 5.2.1 Plug the AC line cord directly into a 120 V AC 60 Hz outlet, then turn the AC power switch on.
- 5.2.2 Plug the Video cable directly into a compatible Signal Generator. Set it to the cross-hatch pattern video signal. (NT-2515C 15.750Khz/60hz, NT-25E 25Khz/60/hz)
- 5.2.3 Adjust the R112 to set the horizontal deflection B+ (the connection point of R117/R424) to 125.00+-0.50 VDC
- 5.2.4 Check all the other output DC voltages or AC wave to meet the following specs:
  - 1) The connection point of L905/C920 = 165.0V+-2.0VDC
  - 2) The connection point of L103/C119 = 26.0V +-1.0VDC
  - 3) The connection point of L901/C906 = 12.0V +-0.5VDC
  - 4) The connection point of (FBT #9/R429) = 24Vp-p +-1Vp-p

### 5.3 H-HOLD SETTING

- 5.3.1 Change the video signal to a compatible Signal Generator to a 350 line color bar pattern video signal.
- 5.3.2 Short pin 1 of IC401 to ground through a 100 uf/16vEC cap, adjust the R401 to get the picture to stand up vertically, then release the ground shorting.

### 5.4 H-SIZE & H-CENTER SETTING

- 5.4.1 Change the video signal to a compatible Signal Generator to a 350 line crosshatch pattern video signal.

5.4.2 Adjust R402 (H-Phase) to set the picture in the center of the raster.

5.4.3 Adjust L403 (H-Width) for a horizontal display size of maximum.

## 5.5 V-SIZE & V-POSITION SETTING

5.5.1 Change the video signal to a compatible Signal Generator to a 350 line crosshatch pattern video signal.

5.5.2 Adjust R324 (V-Size) for a vertical display size of maximum.

5.5.3 Adjust R319 (V-Position) to set the picture in center of the raster.

5.5.4 Adjust R314 (V-Lin) to set the vertical linear  $\pm 5\%$

## 5.6 THE SIDE-PINCUSHION ADJUSTMENT

5.6.1 Change the compatible Signal Generator video signal to a 350 line crosshatch pattern video signal.

5.6.2 Adjust R322 (Pin-Ad) to modify the left-right side pincushion distortion to meet the specs of 1.00mm  $\pm 0.25$ mm.

## 5.7 BACKGROUND BRIGHTNESS SETTING

5.7.1 Change the compatible Signal Generator video signal to a 350 line blank pattern video signal. Set the Brightness VR (R529) to the maximum position and the Contrast VR (R990) to a minimum position.

5.7.2 Adjust the G2 VR until the background raster is just visible and note what color appears. Now adjust the other 3 colors of the Bias VRs (R938 Red Bias, R937 Green Bias, R936 Blue Bias) to obtain a dark gray raster.

5.7.3 Re-adjust G2 VR and Check the brightness within range of 2  $\pm 0.5$ FL until the retrace line is barely visible.

## 5.8 R.G.B. GAIN SETTING

5.8.1 Change the video signal to a full white Pattern video signal.

5.8.2 Set contrast VR990 to maximum and adjust Brightness VR (R529) until the background raster is barely visible.

5.8.3 Adjust R938 , R937 , R936 to obtain a full white pattern, and check to make sure the



brightness is within a range of 50 +/- 5 Fl.

## 5.9 WHITE BALANCE CHECKING

5.9.1 Adjust the Brightness VR (R529) until the background raster is just visible.

5.9.2 Adjust the Contrast VR (R990) to obtain a full white pattern of 3.0 +/- 0.5Fl and check the screen center color temperature within range of  $x = .281 \pm .025$ ,  $y = .310 \pm .025$ , if not then repeat 5.8.

## 5.10 FOCUS SETTING

5.10.1 Adjust the Brightness VR (R529) until the background raster is just visible. Adjust the Contrast VR (R990) to full white pattern of 25.0 +/- 1.0 Fl.

5.10.2 Change the compatible Signal Generator video signal to a 350 line full white crosshatch pattern video signal.

5.10.3 Adjust the Focus VR to get an optimized focus for the total screen.

## 5.11 MISCONVERGENCE SETTING

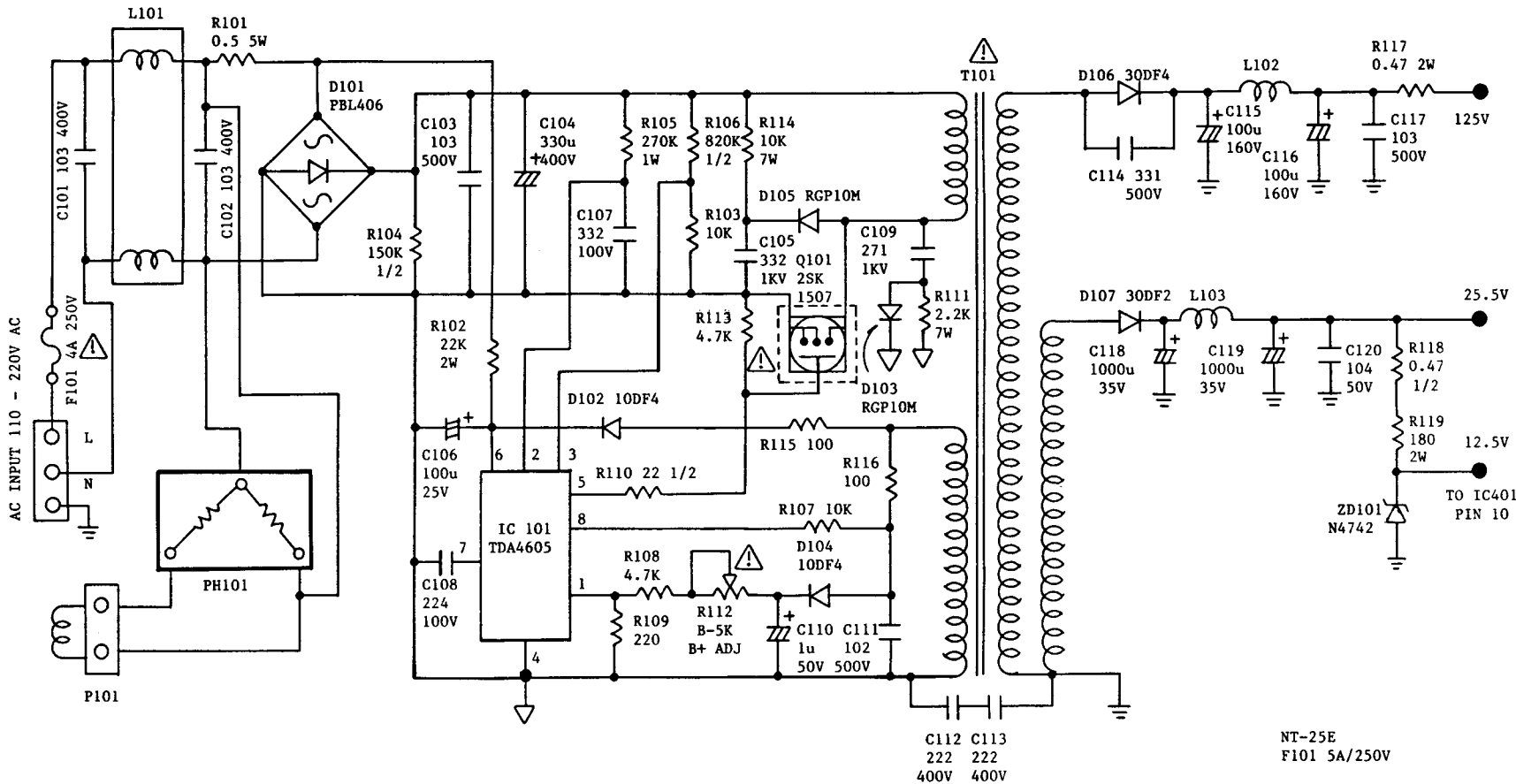
5.11.1 Change the compatible Signal Generator video signal to a 350 line crosshatch pattern.

5.11.2 Open the knobs of the two 4-pole magnets, and make the blue and red vertical lines match with each other at the center of the picture.

5.11.3 Turn the magnet while keeping the 4-pole magnets open and make the blue and red lateral lines match with each other.

5.11.4 Open the knobs of the two 6-pole magnets, and make the green vertical line match with the blue and red vertical lines at center of the picture.

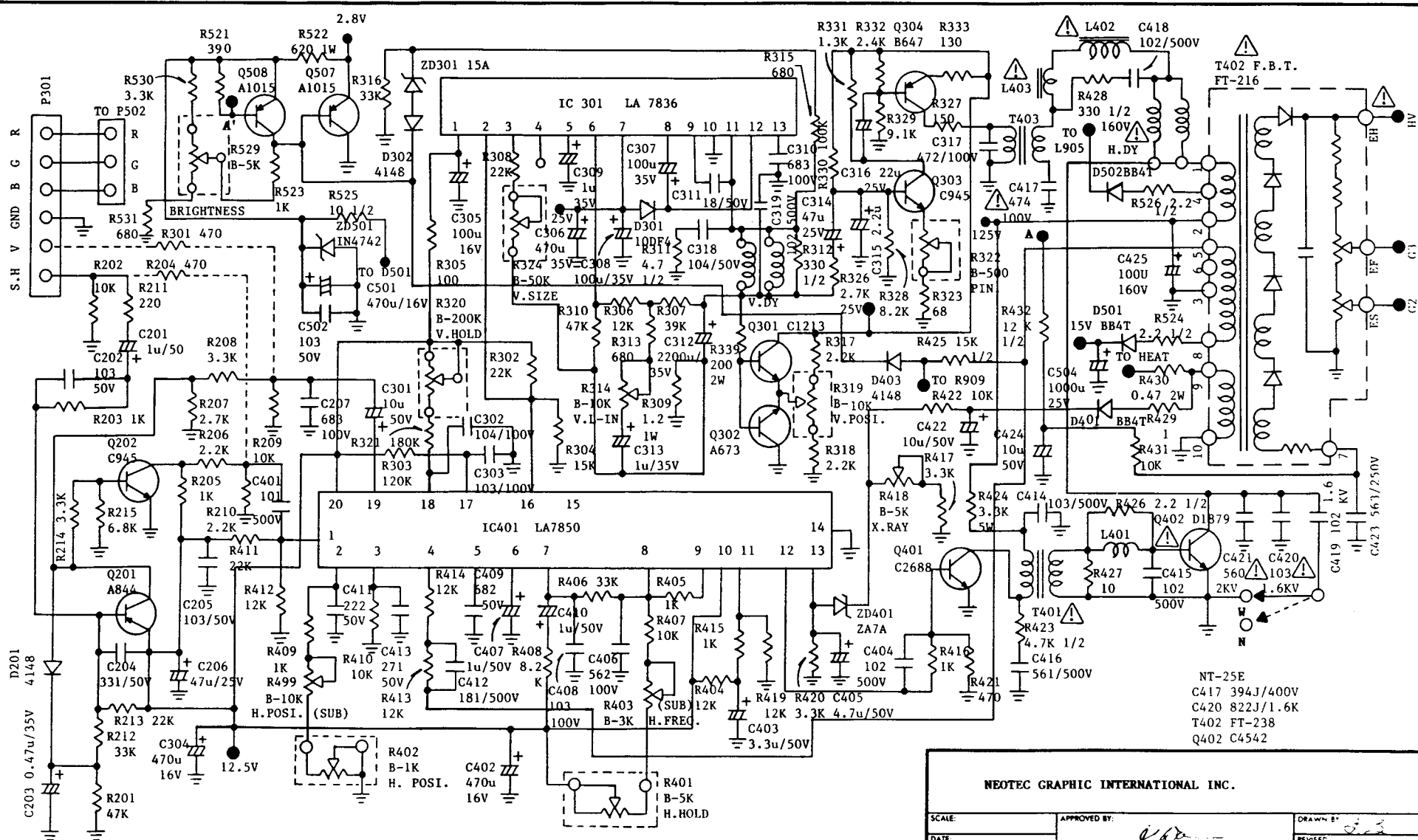
5.11.5 Turn the 6-pole magnets while keeping their knobs open until the green lateral line matches with the blue and red lateral lines at the center of the picture.



NT-25E  
F101 5A/250V

NEOTEC GRAPHIC INTERNATIONAL INC.

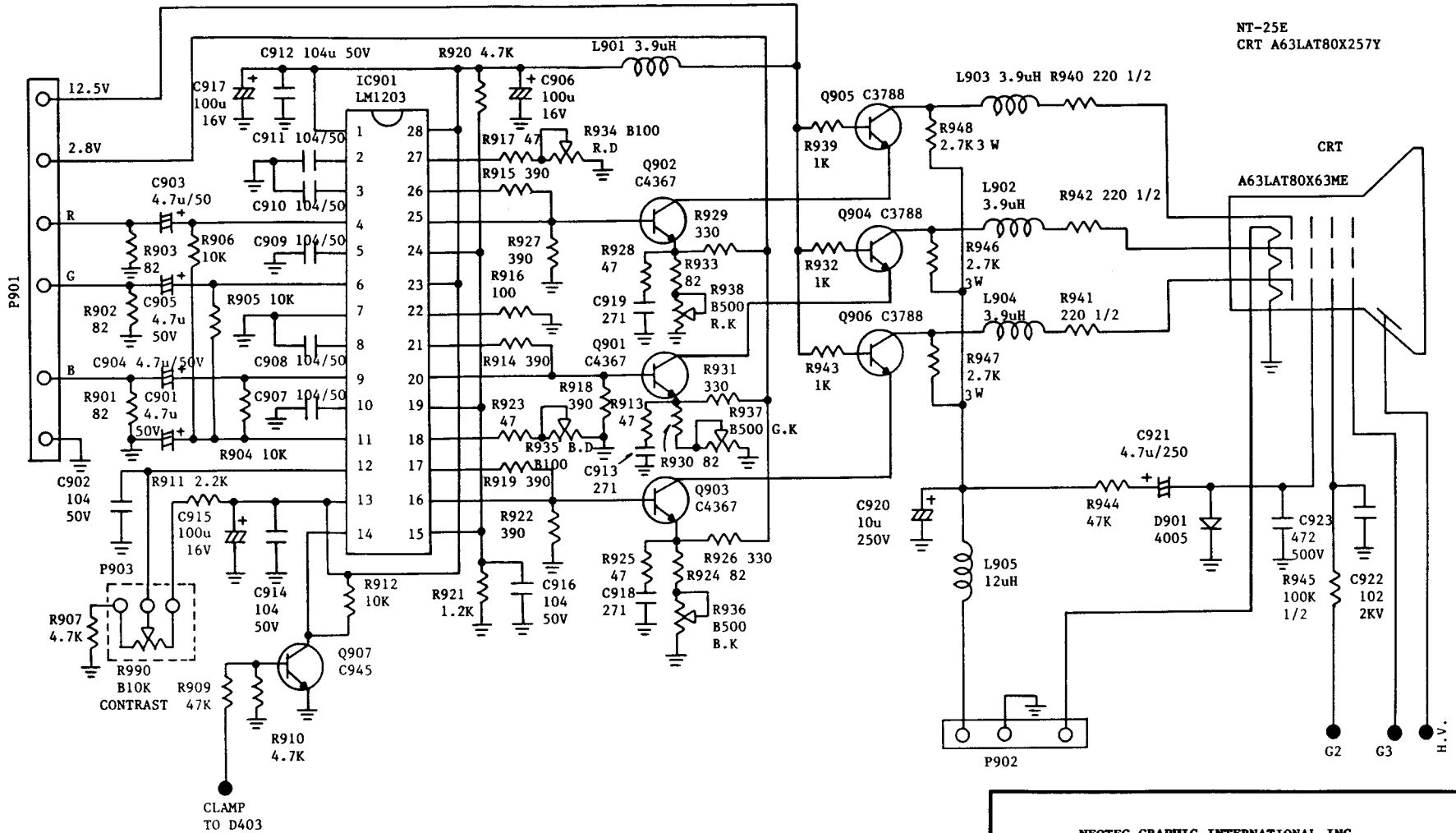
SCALE:	APPROVED BY:	DRAWN BY:
DATE: APRIL 4, 94	<i>[Signature]</i>	<i>[Signature]</i>
NT-2515C, NT-25E POWER SUPPLY CKT		
DRAWING NUMBER		



- NT-25E
- C417 394J/400V
- C420 822J/1.6K
- T402 FT-238
- Q402 C4542

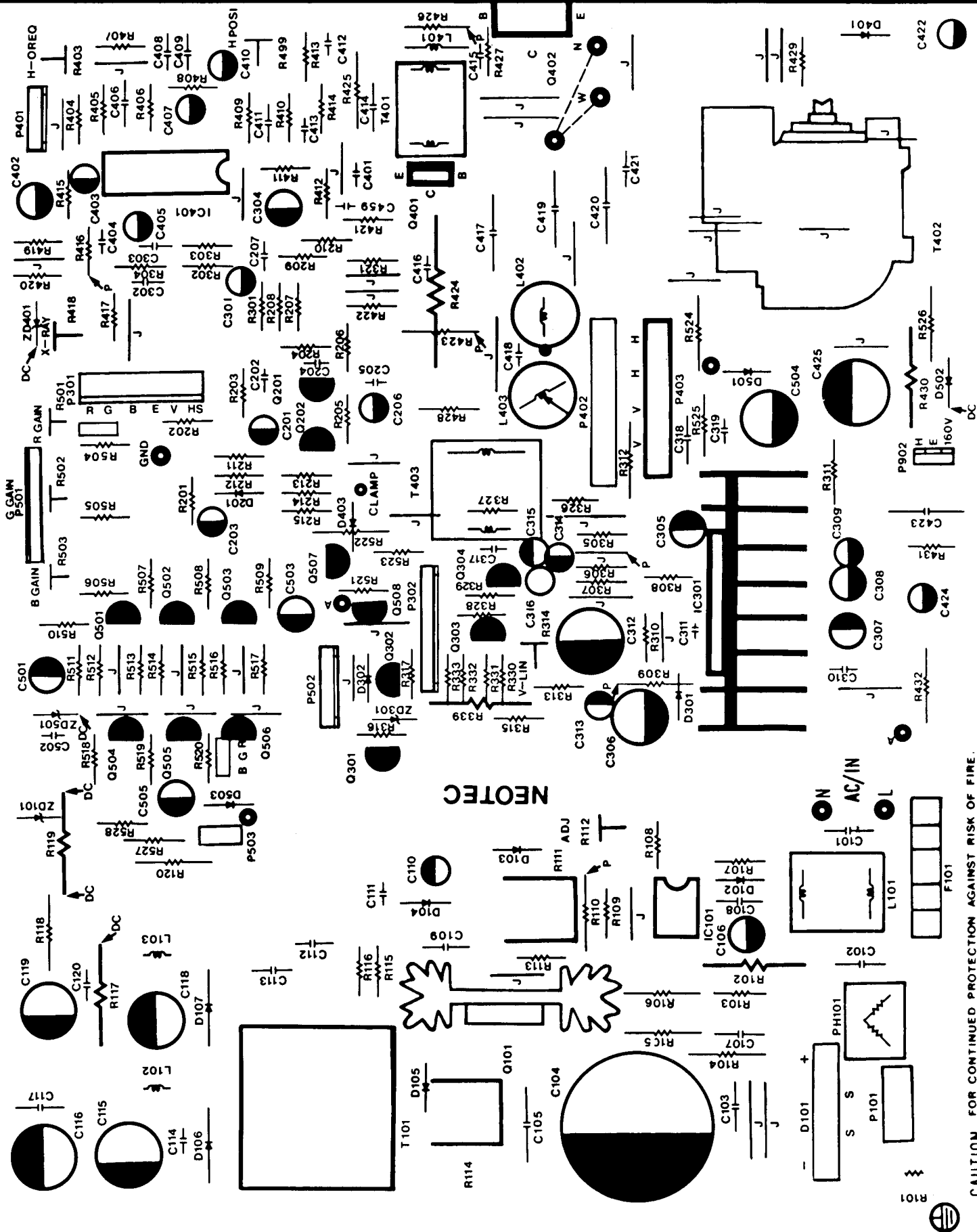
<b>NEOTEC GRAPHIC INTERNATIONAL INC.</b>		
SCALE:	APPROVED BY:	DRAWN BY:
DATE: APRIL 4, 1994	<i>[Signature]</i>	<i>[Signature]</i>
NT-2515C, NT-25E MAIN BOARD CKT		REVISED:
		DRAWING NUMBER:

NT-25E  
CRT A63LAT80X257Y



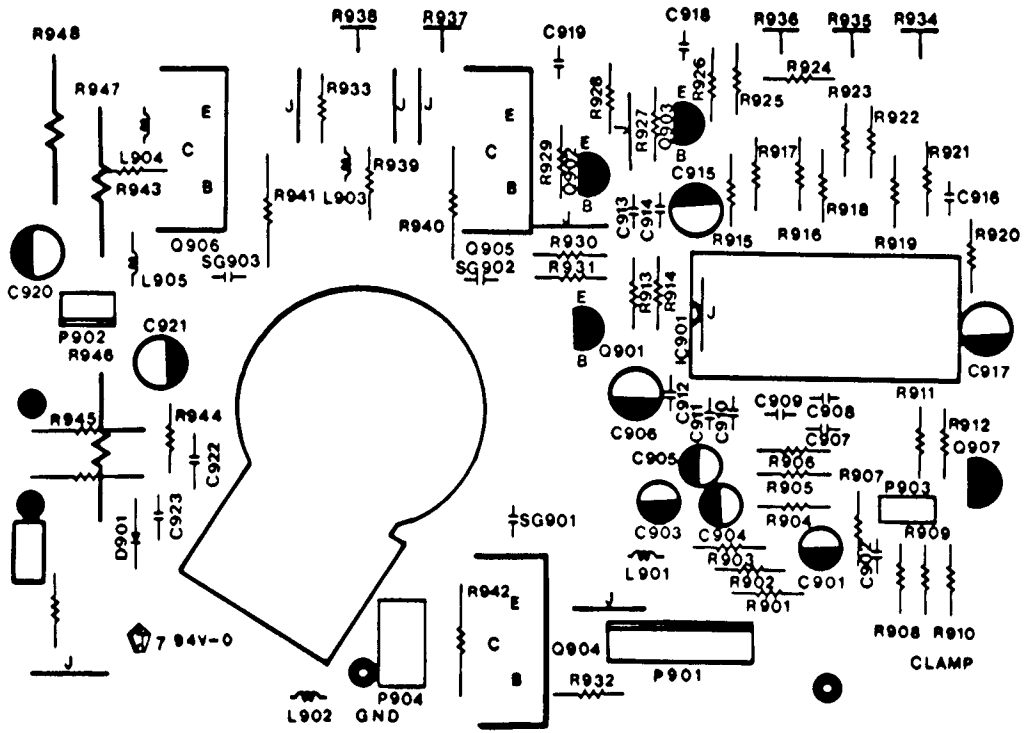
Page 10

<b>NEOTEC GRAPHIC INTERNATIONAL INC.</b>		
SCALE:	APPROVED BY:	DRAWN BY:
DATE:	<i>[Signature]</i>	<i>[Signature]</i>
APRIL 4, 94		REVISED:
NT-2515C, NT-25E VIDEO BOARD CKT		
		DRAWING NUMBER:



NEOTEC

CAUTION FOR CONTINUED PROTECTION AGAINST RISK OF FIRE.  
 REPLACE ONLY WITH SAME TYPE AND RATING OF FUSE



## BILL OF MATERIAL LIST

	PARTS NO.	SPECIFICATION	QT'Y	LOCATION
		<b>RESISTOR</b>		
1	22225-0102	C.F. 1/4W 1 OHM	1	R429.
2	22225-1002	C.F. 1/4W 10 OHM	1	R427.
3	22225-1012	C.F. 1/4W 100 OHM	3	R115.R116.R305
4	22225-1302	C.F. 1/4W 130 OHM	1	R333.
5	22225-1502	C.F. 1/4W 150 OHM	1	R327.
6	22225-2202	C.F. 1/4W 220 OHM	2	R109.R211
7	22225-4702	C.F. 1/4W 470 OHM	3	R204.R301.R421.
8	22225-6802	C.F. 1/4W 680 OHM	3	R313.R521.R531
9	22225-1022	C.F. 1/4 W 1 K	8	R203.R205.R405.R415. R416.R431.R523.R409.
10	22225-1322	C.F. 1/4W 1.3 K	1	R331.
11	22225-2222	C.F. 1/4W 2.2 K	3	R210.R317.R206.
12	22225-2422	C.F. 1/4W 2.4 K	1	R332.
13	22225-2722	C.F. 1/4W 2.7 K	2	R207.R326.
14	22225-3322	C.F. 1/4W 3.3 K	4	R214.R417.R420.R208.
15	22225-4722	C.F. 1/4W 4.7 K	2	R108.R113.
16	22225-6822	C.F. 1/4W 6.8 K	1	R215.
17	22225-8222	C.F. 1/4W 8.2 K	2	R328.R408.
18	22225-9122	C.F. 1/4W 9.1 K	1	R329.
19	22225-1032	C.F. 1/4W 10 K	7	R103.R107.R202.R209. R407.R410.R422.
20	22225-1232	C.F. 1/4W 12 K	6	R306.R404.R412.R413. R414.R419.
21	22225-1532	C.F. 1/4W 15 K	1	R304.
22	22225-2232	C.F. 1/4W 22 K	4	R213.R302.R308.R411.
23	22225-3332	C.F. 1/4W 33 K	3	R212.R316.R406.
24	22225-3932	C.F. 1/4W 39 K	1	R307.
25	22225-4732	C.F. 1/4W 47 K	2	R201.R310.
26	22225-1042	C.F. 1/4W 100 K	1	R330.
27	22225-1242	C.F. 1/4W 120 K	1	R303.
28	22225-1842	C.F. 1/4W 180 K	1	R321.
29	22245-0473	C.F. 1/2W 0.47 OHM	1	R118.
30	22245-2203	C.F. 1/2W 2.2 OHM	3	R426.R524.R526.
31	22245-4793	C.F. 1/2W 4.7 OHM	1	R311.
32	22245-2203	C.F. 1/2W 22 OHM	1	R110.
33	22245-1003	C.F. 1/2W 10 OHM	1	R525.
34	22245-3303	C.F. 1/2W 330 OHM	2	R312.R428.
35	22245-4723	C.F. 1/2W 4.7 K	2	R423.R113.
36	22245-1533	C.F. 1/2W 15 K	1	R425.
37	22245-1043	C.F. 1/2W 100 K	1	R432.
38	22245-1543	C.F. 1/2W 150 K	1	R104.

39	22245-8243	C.F. 1/2W 820 K	1	R106.
40	23245-1204	MEF 1W 1.2 OHM	1	R309.
41	23245-4704	MEF 1W 4.7 OHM	1	R120.
42	23245-6204	MEF 1W 620 OHM	1	R522.
43	23245-2744	MEF 1W 270 K	1	R105.
44	23255-0473	MEF 2W 0.47 OHM	1	R117.
45	23255-0473	MEF 2W 0.47 OHM	1	R430.
46	23255-1803	MEF 2W 180 OHM	1	R119.
47	23255-2233	MEF 2W 22 K	1	R102.
48	23875-3323	MEF 5W 3.3 K	1	R424.
49	23795-0507	WRCM 5 0.5 OHM	1	R101.
50	23795-2227	WRCS 7 2.2 K	1	R111.
51	23795-1037	WRCS 7 10 K	1	R114.

<b>CAPACITOR</b>				
52	CC45CH1H180JYA	18J/50V	1	C311.
53	CC45-B2H331JYA	331K/50V	1	C204
54	CK45-B2H101KYA	101K/500V	1	C401.
55	CK45-B2H181KYA	181K/500V	1	C412.
56	CK45-B1H271KYA	271J/50V	1	C413.
57	CK45-B2H331KYA	331K/500V	1	C114.
58	CK45-B2H561KYA	561K/500V	1	C416.
59	CK45-B2H102KYA	102K/500V	4	C111.C404.C415.C418.
60	CK45-B1H103KYA	103K/50V	3	C202.C502.C205.
61	CK45-B1H104KYA	104K/50V	2	C120.C318.
62	CK45-B3D561KYA	561K/2KV	1	C421.
63	CK45-B2H103KYA	103K/500V	3	C103.C117.C414.
64	CS13-E2GA222MYAS	222N-AC400V	2	C112.C113.
65	CS17FZ2GA103ZYAS	103Z/AC400V	2	C101.C102.
66	32114-103J	PE 103J/100V	1	C303.
67	32114-683J	PE 683J/100V	2	C207.C310.
68	32115-222J	PEN 222J/100V	1	C411.
69	32115-472J	PEN 472J/100V	1	C317.
70	32115-682J	PEN 682J/100V	1	C409.
71	32115-103J	PEN 103J/100V	1	C408.
72	33116-563J	MER 563J/250V	1	C423.
73	33116-104J	MER 104J/100V	2	C318.C302.
74	33116-224J	MER 224J/100V	1	C108.
75	33175-271J	PPN 271J/100V	1	C109.
76	33175-332G	PPN 332G/100V	1	C107.
77	33175-562G	PPN 562G/100V	1	C406.
78	35155-394J	PPN 394J/400V	1	C417. (NT-25E)
	35155-474J	PPN 474J/400V	1	C417 (NT-2515C)
79	33145-102J	PMP 102J/1.6KV	1	C419.
80	33145-332J	PMP 332J/1KV	1	C105.
81	33145-822J	PMP 822J/1.6KV	1	C420. (NT-25E)
	33145-103J	PMP 103J/1.6KV	1	C420 (NT-2515C)



82	28167-1091	E.C. 1UF/50V	4	C110.C201.C407.C410.
83	28167-2291	E.C. 2.2UF/50V	1	C315.
84	28167-3391	E.C. 3.3UF/50V	1	C403.
85	28167-4791	E.C. 4.7UF/50V	1	C405.
86	28167-1001	E.C. 10UF/50V	3	C301.C422.C424.
87	28147-4701	E.C. 47UF/25V	2	C314.C206.
88	28137-1011	E.C. 100UF/16V	1	C305.
89	28147-1013	E.C. 100UF/25V	1	C106.
90	28157-1014	E.C. 100UF/35V	2	C307.C308.
91	28108-1001	E.C. 100UF/160V	3	C115.C116.C425.
92	28137-4701	E.C. 470UF/16V	3	C304.C402.C501.
93	28157-4701	E.C. 470UF/35V	1	C306.
94	28147-10021	E.C. 100UF/25V	1	C504.
95	28157-10021	E.C. 1000UF/35V	2	C118.C119.
96	28157-22021	E.C. 2200UF/35V	1	C312.
97	28157-0471	E.C. 0.47UF/35V	1	C203
98	28118-3301	E.C. 330UF/400V	1	C104.
99	29166-2203	E.C. NP 22UF/25V	1	C316.
100	29166-1093	TAN 1UF/35V	2	C309.C313.

		<b>DIODE</b>		
101	15A00-0012	IN4148	4	D201.D302.D402.D403.
102	15Z33-4742	IN4742(12V1W)	2	ZD101.ZD501.
103	15Z33-ZD7A	ZD7A(7V 1/2W)	1	ZD401.
104	15Z33-ZD15A	ZD15A(15V 1/2W)	1	ZD301.
105	15S33-BB4T	BB4T	3	D401.D501.D502.
106	15S33-10DF4	10DF4	3	D102.D104.D301.
107	15S33-RGP10M	RGP 10M	2	D103.D105.
108	15S33-30DF2	30DF2	1	D107.
109	15S33-30DF4	30DF4	1	D106.
110	15S33-PBL406	PBL406	1	D101.

		<b>TRANSISTOR</b>		
111	15T33-A1015	T.R. A1015	2	Q507.Q508.
112	15T33-A673	T.R. A673	1	Q302.
113	15T33-B647	T.R. B647	1	Q304.
114	15T33-C945	T.R. C945	1	Q303.
115	15T33-C1212	T.R. C1213	1	Q301.
116	15T33-C2688	T.R. C2688	1	Q401.
117	15T33-D1879	T.R. D1879	1	Q402. (NT-2515C)
	15T33-C4542	T.R. C4542	1	Q402. (NT-25E)
118	15T33-K1507	FET K1507 (K956)	1	Q101.

		IC		
119	16103-TDA4605	I.C. TDA4605-15	1	IC101.
120	16103-LX7836	I.C. LA7836	1	IC301.
121	16103-LA7850	I.C. LA7850	1	IC401.

		VR		
122	25A01-302B	V.R. VZ067TL1 B 3K	1	R403.
123	25A01-502B	V.R. VZ067TL1 B 5K	2	R112.R418.
124	25A01-103B	V.R. VZ067TL1 B 10K	2	R314.R499.
125	26F00-0001	PTCR270N	1	PH101.
126	47E10-2R7K	SPO305-5 2.7UH	1	L401.
127	47E10-LJ-9007	C.H.K. 1J-9007	2	L102.L103.
128	47W10-WL0024	WIDTH COIL WL0024	1	L403.
129	47L10-L00026	LINEAR COIL LL00026	1	L402.
130	47L10-TF15002	LIN FILTER TF15002	1	L101.
131	47D10-J90003	DRIVE TRANS LJ90003	1	T401.
132	47P10-J90002	PIN. TRANS LJ90002	1	T403.
133	47F10-FT-238	FBT TRANS F.T.-238	1	T402. (NT-25E)
	47F10-FT-216	FBT TRANS F.T.-216	1	T402 (NT-2515C)
134	54JP5-0010	J/W 10M/M	29	J
135	54JP5-0125	J/W 12.5M/M	5	J
136	54JP5-0150	J/W 15M/M	6	J
137	PBP-15606	PBP-15606 1.5A 6P	1	P402.
138	PBP-39606	PBP-39606 3.9 6P	1	P301.
139	GTPPN23602	PBP-23602 2.36A 2P	1	P101.
140	GTPPN23604	PBP-23604 2.36A 4P	1	P403.
141	GTPPN469-184A	469-184A 2.5M/M 5P 800M/M	1	P401.
142	GTPPN469-179	469-179 2.5M/M 6P 500M/M	1	P502.
143	GTPPN469-178	469-178 2.5M/M 3P 500M/M	1	
144	GTPPN469-185A	469-185A 2.5M/M 10P 850M/M	1	P302.
145	GTPPN469-190	469-190 2.5M/M 3P 100M/M	1	
146	GTPPN469-127	469-127 2.36A 1P 100M/M	1	
147	68A00-0010	FUSE FC-503V CLIP 5.2C(20)	1	F101.
148	49F52-2505	FUSE UL 5A/250V (20)	1	F101. (NT-25E)
	49F52-2504	FUSE UL 4A/250V (20)	1	F101. (NT-2515C)
149	47S10-T6002	POWER TRANS T6002	1	T101
150	50Q06-1510	AC ST2#18UL(%FEET)	1	AC.IN
151	75123-761048	PCB-002(K956)	1	HEAT SINK
152	75123-761007	7837 45L	1	HEAT SINK
153	75123-25E01	D1879/C4542	1	HEAT SINK
154	11S31-002	250x200 MAIN BOARD	1	PCB-002
155	76201-25E02	PCB-002	1	BRACKET
156	67218-30080	3*8	9	SCREW
157	67218-40100	TP2 4*10	1	SCREW
158	67205-30101	ISO 3*10	1	D1879 (SCREW)

169	67400-30101	3C	1	D1879 (WASHER)
160	A63LAT80X257Y	(NT-25E)	1	25" CRT
	A63LAT80X63ME	(NT-2515C)	1	25" CRT
161	46G00-2512	25" 2515 12	1	DEGAUSSING COIL
162	4690000180	6P	1	CABLE
163	54W10-0002	25" 2515 1.5A 2P	1	CRT. GROUND WIRE
164	76201-0140	BRACKET (A)	2	CRT FRAME
165	76201-0150	BRACKET (B)	2	FRAME SUPPORT
166	76201-0160	BRACKET (C)	1	FRAME SUPPORT-1
167	67218-70120	ISO 7X12	12	
168	67300-47120	FLAT WASHER	4	
169	67218-40130	TAP 4X13	2	
170	AMP1-480701-0	AMP 3P (F)	1	
171	AMP1-480705-0	AMP 6P (M)	1	

<b>CONTROL BOARD</b>				
172	22225-6802	C.F. 1/4W 68 OHM	1	R323.
173	22225-6812	C.F. 1/4W 680 OHM	1	R315.
174	22225-2222	C.F. 1/4W 2.2 K	1	R318.
175	22225-3322	C.F. 1/4W 3.3 K	1	R530.
176	25A01-500B	V.R. VZ0 B500 OHM	1	R322.
177	25A01-102B	V.R. VZ0 B 1K	1	R402.
178	25A01-502B	V.R. VZ0 B 5K	2	R401.R529.
179	25A01-103B	V.R. VZ0 B 10 K	2	R319.R990.
180	25A01-503B	V.R. VZ0 B 50 K	1	R324.
181	25A01-204B	V.R. VZ0 B 200 K	1	R320.
182	64B33-0501	PBP-XH0 2.5M/ 5 P	1	P401.
183	64B33-1001	BPB-XH1 2.5M/ 10P	1	P302.
184	54JP5-0010	J/W 10M/M	1	J
185	64B33-0301	PBP-XH0 2.5M/ 3P	1	P901.
186	11S31-003	183x38 CONTROL BOARD	1	PCB-003
187	76201-0170	BRACKET (D)	1	PCB-003

<b>CRT BOARD</b>				
188	22225-4701	C.F. 1/4W 47 OHM	5	R913.R917.R923.R925. R928.
189	22225-8201	C.F. 1/4W 82 OHM	6	R901.R902.R903.R924. R930.R933.
190	22225-1011	C.F. 1/4W 100 OHM	1	R916.
191	22225-3311	C.F. 1/4W 330 OHM	3	R926.R929.R931.
192	22225-3911	C.F. 1/4W 390 OHM	6	R914.R915.R918. R919.R922.R927.
193	22225-1021	C.F. 1/4W 1 K	3	R932.R939.R943.
194	22225-1221	C.F. 1/4W 1.2 K	1	R921.
195	22225-4721	C.F. 1/4W 4.7 K	3	R907.R910.R920.

196	22225-2221	C.F. 1/4W 2.2 K	1	R911
197	22225-1031	C.F. 1/4W 10 K	4	R904.R905.R906.
				R912.
198	22225-4731	C.F. 1/4W 47 K	2	R909.R944.
199	22245-2211	C.F. 1/2W 220 OHM	3	R940.R941.R942.
200	22245-1041	C.F. 1/2W 100 K	1	R945.
201	22246-2075	1015/22 AWG UL/CSA 500M/M	1	
202	23255-2721	MEF 2W 2.7K	3	R946.R947.R948.
203	25A01-101B	V.R. VZ0 100 OHM	2	R934.R935.
204	25A01-501B	V.R. VZ0 500 OHM	3	R936.R937.R938.
205	CC45SL1H271JYA	C.C. 271J/50V	3	C913.C918.C919.
206	SC45-F1H104ZAY	C.C. 104Z/50V	9	C902.C907.C908.C909.
				C910.C911.C912.C914.
				C916.
207	CK45-B2H472KYA	C.C. 472K/500V	1	C923.
208	CK45-B3D102KYA	C.C. 102K/2KV	1	C922.
209	28137-1011	E.C. 100UF/16V	3	C906.C915.C917.
210	28167-4791	E.C. 4.7UF/50V	4	C901.C903.C904.C905.
211	28177-4791	E.C. 4.7UF/250V	1	C921.
212	28177-1001	E.C. 10UF/250V	1	C920.
213	47E10-12UH	EL060SKI-120J 12UH	1	L905.
214	47E10-3R9	EL060SKI-3R9J 3.9UH	4	L901.L902.L903.L904.
215	15T33-C945	T.R. C945	1	Q907.
216	15T33-C4367	T.R. C4367	3	Q901.Q902.Q903.
217	16103-LM1203	IC. LM1203	1	IC901
218	15T33-C3788	TR. C3788	3	Q904.Q905.Q906.
219	15S33-4005	IN4005	1	D901
220	GTPPN23605	PBP-23602-2P	1	P904
221	GTPPN23606	G.T PIN 2.36	1	GND
222	64B33-0301	PBP-XHO2.5M/3P	1	P902
223	64B33-0601	PBP-XHO2.5M/6P	1	P901
224	HPSO199-2	CRT SOCKET	1	
225	75123-761088	C3788	3	HEAT SINK
226	11S31-004	CRT BOARD	1	PCB-004A
227	54JP5-0010	J/W 10M/M	7	J